



RING

CRICCHETTO IN NYLON



Cricchetto in nylon autoposizionante | Self-positioning nylon catch
 Cliquet en nylon auto positionnant | Golpete de nylon con auto colocación



Corpo, riscontri e spessori in nylon, molla elicoidale in acciaio temprato, viti di fissaggio Ø 3,5 TSPC CR in acciaio zincato nero.



Body, plates and thickness in nylon, tempered steel coil spring, black galvanized steel Ø 3.5 TSPC CR mounting screws.



Corps, gâches et cales en nylon, ressort hélicoïdal en acier trempé, vis de fixation Ø 3,5 TSPC CR en acier zingué noir.

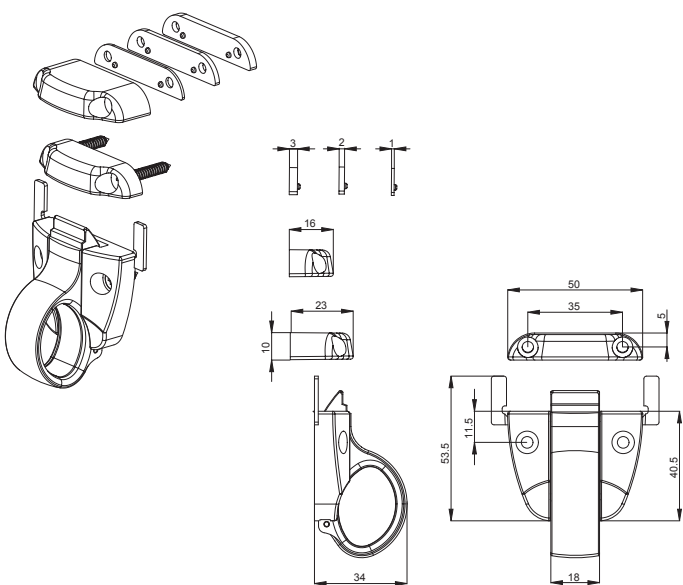


Cuerpo, cerraderos y espesores de nylon, muelle helicoidal de acero templado, tornillos de fijación Ø 3,5 TSPC CR de acero galvanizado negro.

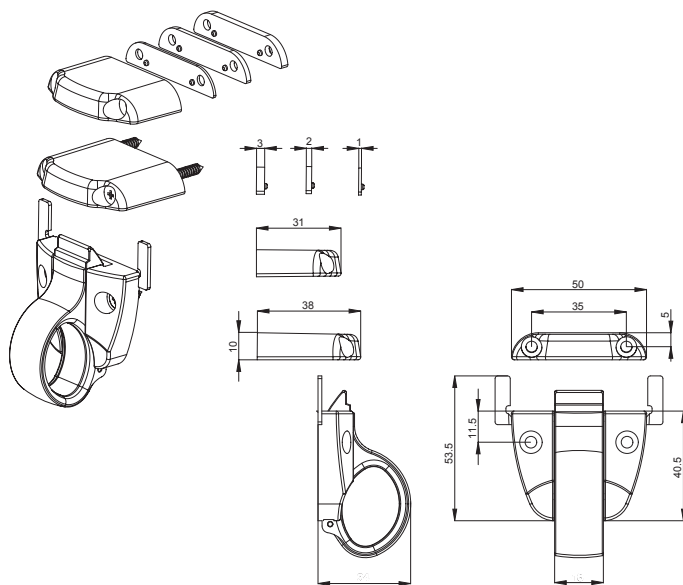


ART.	1502 1502.1			
Imballo Package Conditionnement Embalaje	50 PZ			
Finiture disponibili Available finishes Finitions disponibles Acabados disponibles	1	2	3	4

Art. 1502



Art. 1502.1



DESCRIZIONE DESCRIPTION	ART.
Cricchetto in nylon con riscontro per sormonto Nylon catch with counterplate for overlapped profiles	1502

DESCRIZIONE DESCRIPTION	ART.
Cricchetto in nylon con riscontro per sormonto, da 15mm a 28mm Nylon catch with counterplate for overlapped profiles, 15mm to 28mm	1502.1